

EXMORK

Premium Series

SUNTELLITE MODULE MONOCRYSTALLINE

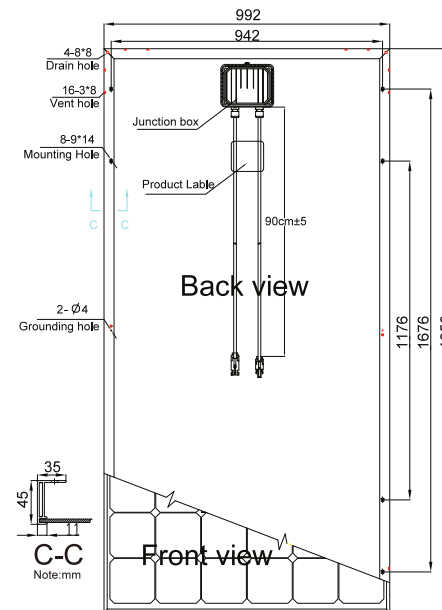
ΦCM-300M 300Wp
 ΦCM-310M 310Wp
 ΦCM-320M 320Wp



Общие характеристики

Characteristics	ΦCM-300M	ΦCM-310M	ΦCM-320M
Max.Power(Pmax)	300Wp	310Wp	320Wp
Optimum Operating Voltage(Vm)	37.62V	37.62V	45.55V
Optimum Operating Current(I _m)	7.98A	8.25A	8.95A
Open-circuit Voltage(Voc)	44.62V	45.12V	38.33V
Short-circuit Current(I _{sc})	8.56A	8.82A	8.35A
Cell Efficiency	17.40%	18.00%	18.60%
Module Efficiency	15.46%	15.98%	16.49%

Note: the specifications are obtained under the Standard Test Condition(STC):1000 W/m² solar irradiance, AM1.5, Cell Temperature 25 °C .



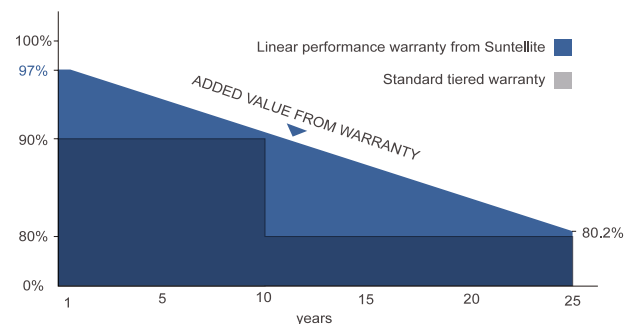
Solar Cell	Mono-crystalline 156*156mm
Output Tolerance(Pmax)	0 ~ +3%
Number of cells	72 cells in series
Module Dimension	1956*992*45mm
Weight	23kg
Max.System Voltage	1000V(TUV)/600V(UL)
Max.Series Fuse Rating	15A
Output Cable	PV 4mm ²
Cable Length	90cm±5
Number of bypass diodes	3/6
Temperature cycling range	(-40 ~ 85°C)
NOCT	47°C ±2°C
Temperature coefficients of I _{sc}	+(0.053±0.01)%/K
Temperature coefficients of Voc	-(0.35±0.001)%/K
Temperature coefficients of Pmax	-(0.40±0.05)%/K
Load Capacity	200 pcs/20'GP
	528 pcs/40'HQ

Features

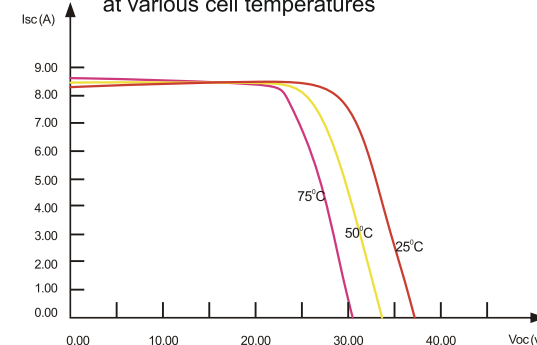
- Cost-effective standard solar modules for skylight, roofing and facades applications
- 0 to +3% positive tolerance for mainstream products
- Withstand high wind loads and snow loads (5400Pa)
- Anti-reflective highly transparent, low iron tempered glass
- Whole black and frame features aesthetic appearance
- Transmission rate 3.18%

Benefits

- 30-year linear performance warranty;
10-year warranty on materials and workmanship
- Product liability insurance
- 48 hour-response service
- Enhanced design for easy installation and long-term reliability



I-V Curves of PV module ΦCM-300M at various cell temperatures



I-V Curves of PV module ΦCM-300M at various solar irradiance

