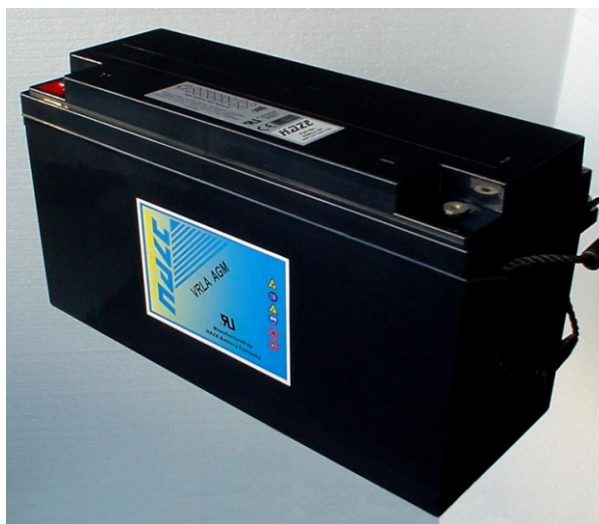


HZB12-150 Valve Regulated Lead Acid battery.
12 year design life for stand by power applications.
12 Volts 150 Ah

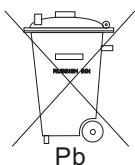
Innovative Features

- Completely maintenance free, sealed construction eliminates the need for watering
- Fully tank formed plates
- Analytical Grade electrolyte
- Spill proof / leak proof
- Valve regulated Max internal pressure 2.5 psi
- Multi-position usage
- ABS Case and cover - V0 on request
- Low self discharge
- FAA and IATA approved as non-hazardous
- Built to comply with IEC 896-2, DIN 43534, BS 6290 Pt4, Eurobat.



Specifications

Nominal Voltage	12 Volts
Nominal Capacity	150Ah (C20 @ 20 °C)
Design Life	12 Years
Operating Temperature	-20 °C to 50 °C
Grid alloy	Calcium / Tin lead alloy
Plates	Flat Pasted
Separator	Absorbant Glass Mat
Active material	Very high purity lead
Case and cover	ABS (VO on request)
Charge Voltage	Float 2.25 - 2.30 VPC @25 °C Cycling 2.35 @25 °C Max. 2.4 VPC Max ripple 0.05C (A)
Electrolyte	Sulphuric acid Analytical grade purity
Venting Valve	EPDM Rubber 1.5 to 2 psi (10.5 - 14 KPa) release pressure. Resealing at 1 psi (7 KPa)
Terminal	Insert 12mm Dia M5 thread. Epoxy sealed by extended mechanical paths
Torque setting	The recommended torque value for all types is 5-7 Nm
Cables	Connectors, cables, terminal covers on request.



Haze Battery Company keenly encourages environmental awareness; PLEASE follow guidelines for the recycling /disposal of lead.

Website: www.hazebattery.com
E mail : sales@hazebattery.com

Sealed Lead Acid 12 Volt Bloc AGM Range
PRODUCT SHEET HZB12-150

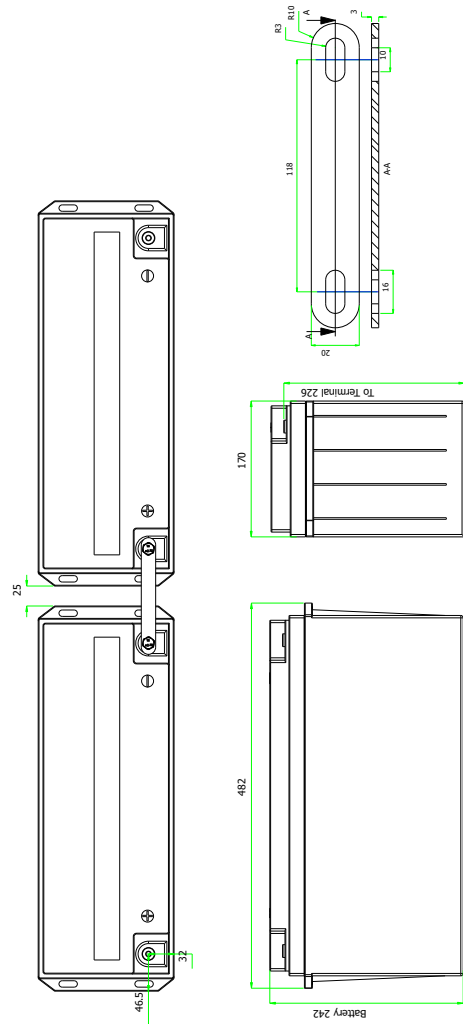
**12V
AGM**

Specifications

Nominal Voltage		12V	
Nominal Capacity		150 Ah	
Dimensions	Total Height (Inc. terminals)	242 mm	9.53 inches
	Length	482 mm	18.98 inches
	Width	170 mm	6.69 inches
	Weight	44.2 Kg	97.68 lbs

Characteristics

Capacity 20 °C (68 °F) To 1.7 volts	20 hour rate	148.9 Ah
	10 hour rate	132.2 Ah
	5 hour rate	118.3 Ah
	1 hour rate	103.6 Ah
	15 min rate	66.7 Ah
Internal Resistance Impedance		2.5 mOhms S
Capacity correction for Temperature Variations (C20)	40 °C (104 °F)	102%
	20 °C (68 °F)	100%
	0 °C (32 °F)	85%
	-15 °C (5 °F)	65%
Self-Discharge 20 °C (68 °F)	Capacity after 1 months storage	98%
	Capacity after 3 months storage	94%
	Capacity after 6 months storage	86%
Short Circuit Current 20 °C (68 °F)	4200	
Terminal	Standard	14mm Insert M6 thread
	Optional	Cu/Lead Flag - J Type - Auto
Charging (Constant Voltage)	Cyclic	2.35 - 2.40 VPC (20-25 °C)
	Float	2.27 - 2.30 VPC (15-25 °C)



Constant Power Discharge - Watts per Cell @20 °C

End V per Cell	5M	10M	15M	20M	25M	30M	35M	40M	45M	60M	90M	2 hr	3 hr	4 hr
1.85	529	460	394	350	314	287	260	239	220	179	131	101	69.1	53.3
1.80	652	523	438	381	339	306	277	255	234	189	133	103	70.3	54.1
1.75	706	565	465	401	355	319	289	264	242	193	134	103	70.7	54.1
1.70	751	594	485	415	364	326	295	269	246	196	137	106	71.8	55.7
1.65	778	622	506	428	372	332	300	273	250	198	139	106	72.1	-
1.60	810	636	515	436	377	337	304	276	252	200	140	107	72.3	-

Constant Amps Discharge - Amps @20 °C

End V per Cell	5M	10M	15M	20M	25M	30M	35M	40M	45M	60M	90M	2 hr	3 hr	4 hr	5 hr	8 hr	10 hr	12 hr	20 hr
1.85	284	246	210	186	166	152	137	126	115	93.3	68.0	52.2	35.4	27.2	22.3	15.0	12.4	10.6	6.94
1.80	356	284	237	205	182	163	147	135	123	99.4	69.4	53.5	36.2	27.8	22.8	15.4	12.8	10.9	7.20
1.75	389	310	254	217	191	171	154	141	128	102	70.1	53.9	36.5	27.9	23.0	15.5	12.9	10.9	7.27
1.70	418	329	267	227	198	176	158	144	131	104	72.0	55.2	37.2	28.8	23.7	16.0	13.2	11.3	7.44
1.65	435	346	279	235	203	180	162	147	133	105	72.9	55.5	37.4	-	-	-	-	-	-
1.60	455	355	285	239	206	183	164	148	135	106	73.7	56.0	37.6	-	-	-	-	-	-

Ampere Hour @20 °C

End V per Cell	2 hr	3 hr	4 hr	5 hr	8 hr	10 hr	12 hr	20 hr
1.85	104	106	109	111	120	124	127	139
1.80	107	109	111	114	123	128	130	144
1.75	108	110	111	115	124	129	131	145
1.70	110	112	115	118	128	132	135	149
1.65	111	112	-	-	-	-	-	-
1.60	112	113	-	-	-	-	-	-



UL Recognised
Component
MH28512

